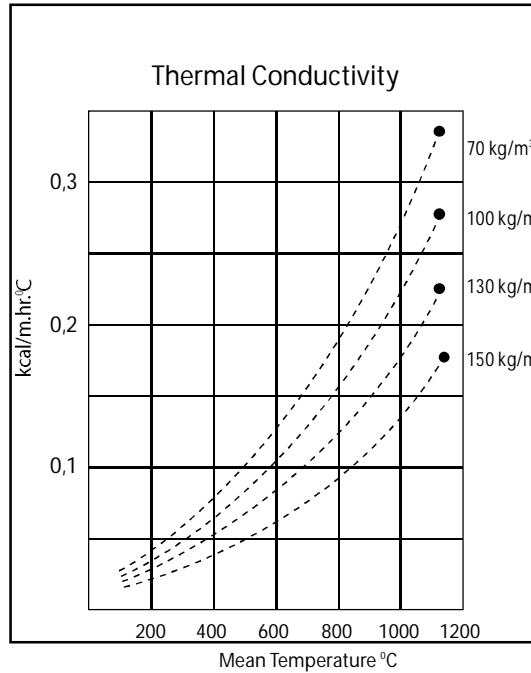


# JIC 8000 CERAMIC FIBER BLANKET



Ceramic fiber products are made from exceptionally pure alumina, silica and refractory oxides. This assures that all ceramic fiber products have excellent temperature resistance, outstanding thermal stability, and good resistance to devitrification.

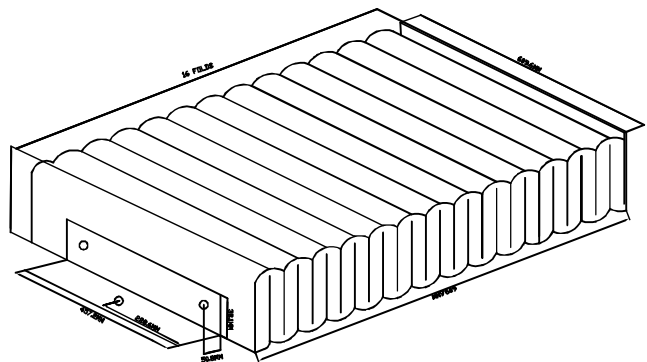
Properties : 1260<sup>0</sup> C  
 Melting Point : <1760<sup>0</sup> C  
 Density : 70 - 160 kg/m<sup>3</sup>  
 Thermal Conductivity (at 600 C) : 0.17 Kcl/m.h.C  
 Shot Content (212m UP) : 10%  
 Linear Shrinkage After Soaking (2411 at 1100 C) : 2%  
 Tensile Strength : 0.5 kg/cm<sup>2</sup>  
 Chemical Composition (Al<sub>2</sub>O<sub>3</sub> + SiO<sub>2</sub>) : 99.4  
 (Al<sub>2</sub>O<sub>2</sub>) : 46.2



Standard size :

Thicknes	Width	Length
0,5" / 12.5 mm	610 mm	7200 mm
1" / 25 mm	610 mm	7200 mm
2" / 50 mm	610 mm	3600 mm

## Z - BLOCK REFRACTORY



Insulation Blanket, Z-Block Refractory, Ceramic Fiber, ZB.0718-A, For Steam Generator, Door 4 In x 24 In x 24 In, 14-Folds, 6-8 lb Per Cubic Ft Compressed Density, Ceramic Fiber Properties, Fiber Diameter 2-4 Micron, Fiber Length 8 In, Average Melting Point 3200 Degree F, Cont Serv Rating 2300 Degree F, Maximum Linear Shrinkage After 24 Hour At 2400 Degree F 3.2%, Blanket Tensile Strength 9 PSI Average, Fiber Content 53%, Comes With Support Bracket And Anchors 1, SS-304 Angels, 1 In Width x 1/16 In Thick x 18 In Length, 2 Pieces At Module Edge, Each 2 SS-304 Tube, 3/8 In Diameter, 2 Pieces Across Module 3, SS-304, Knurled Studs And Nuts, Size 3/8 In Diameter x 1 In Long, Thermal Ceramic, Harbison Walker Or Equal Item Must Come In Assembly Ready To Be Installed.

## JIC 2008 CERAMIC FIBER ROPE



### Application :

- Insulation of high-temperature tube, container, etc.
- The seal of the door of industrial furnace
- The protection of cable, fuel tube, etc.
- Fireproof twine, wrap, cover, etc.
- Compound material produce.

### Properties :

- Temperature : 950° C
- Density : 400-600 kg/m<sup>3</sup>
- Organic content : <a 15%

## JIC 1208 - JIC 1108 CERAMIC FIBER CLOTH - TAPE



### Application :

- Insulation of high-temperature tube, container, etc.
- The curtain of industrial furnace
- The rolled curtain to meet spark
- The seal of the door of industrial furnace
- The protection of cable, fuel tube, etc.
- Fireproof rolled curtain
- Compound material produce
- Fireproof twine, wrap, cover, etc.

### Properties :

- Temperature : 950° C
- Density : 500 kg/m<sup>3</sup>
- Organic content : 15%

### Cloth:

- Dimension : 30000 x 2200 x 2 mm  
30000 x 2200 x 3 mm

### Tape:

- Dimension : 30000 x 50 x 2 mm  
30000 x 50 x 3 mm

## JIC 900 ROCKWOOL BLANKET



### Application

Normal type among blankets, which is suitable for big diameter pipelines, boilers, vessels, flat and irregular surface, building walls with good thermal and acoustic absorption effects.

### Density

Density rock wool blanket is 80 kg/m<sup>3</sup>, 100 kg/m<sup>3</sup> and 130 kg/m<sup>3</sup>

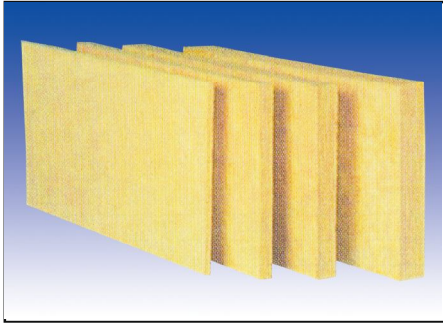
### Thermal conductivity

Thickness mm	K-value W/mK		
	80 kg/m <sup>3</sup>	100 kg/m <sup>3</sup>	130 kg/m <sup>3</sup>
50	0.038	0.037	0.036
75	0.044	0.043	0.042
100	0.053	0.051	0.050

### Size

Size in mm		
Length	Width	Thickness
5000	600	50 - 100

## JIC 901 ROCKWOOL BOARD



### Product Description

These product are high quality, resin-bonded boards with various compression.

### Application

Used in building wall/roofs, elevator wells. Vessel, tanks, oven, ducts and other industrial equipment insulation.

### Density

Density rock wool, board is 80 kg/m<sup>3</sup>, 100 kg/m<sup>3</sup>, 120 kg/m<sup>3</sup>, 140 kg/m<sup>3</sup>, 150 kg/m<sup>3</sup> and 200 kg/m<sup>3</sup>

### Dimensi

Thickness 25 - 150 mm

Length	mm	910	1000	1200	1210
Width	mm	600	605	630	910

## JIC 902 ROCKWOOL PIPE



### Product Description

The pipe section is produced from non-combustible mineral fibers. It performs strong and rigid. Each section is split at one side and hinged at the other side for easy installation.

### Application

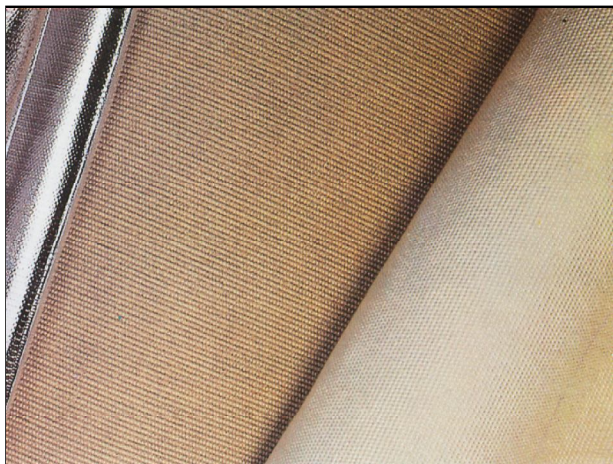
The pipe sections are suitable for application on process and piping works operating at maximum temperature 750°C, with outer diameter of the Insulation up to 610mm. It can also be used in air-conditioning systems, flange and central-heating, The high water-repellent effect and external shock resistance make it Ideal for application In condition where water can penetrate the Insulation system and great compression resistance is required.

### Density and Dimension

Pipe OD	Thickness mm																
	25	40	50	60	75	80	90	100	110	120	130	140	150	160	175	190	
22																	
27																	
34																	
43																	
48																	
60																	
76																	
89																	
108																	
114																	
133																	
140																	
159																	
165																	
219																	
273																	
325																	
351																	
406																	
456																	
508																	
558																	
610																	

Density : 130 kg/m<sup>3</sup>, 150 kg/m<sup>3</sup>  
Length of all size: 1000 mm  
Other/special size, density and thickness on request

## JIC 7000 CH, JIC 7000 / A SILTEMP / SILICATEX (With or without aluminized)



### DESCRIPTION :

Cloth woven with glass yarn as a covering for heat insulation, Heat retaining, protection from welding flame curtains and as Thermal barrier.

### Temperature :

JIC 7000 CH : 1000° C  
JIC 7000 : 650° C

### STANDARD SIZE :

T : 0,9 mm - 1,5 mm  
W : 1 yard.  
L : 55 yard

Available : JIC 1007 Twisted Rope Size 1/4" to 1"  
JIC 2007 Round Braided Rope Size 1/4" to 2"  
JIC 2017 Square Braided Rope Size 1/4" to 2"

## JIC 7100 / A / T / TA BULKY GLASS FIBER CLOTH / ALUMINIZED / TAPE / TAPE + AL



### DESCRIPTION :

Cloth woven with Bulky Glass Yarn Heat insulation or curtain as a substitute for Asbestos Cloth.

The most efficient for flexibility, resin impregnation heat insulation.

### SPECIFICATION :

Heat Resistant : 600° C  
Tensile strength : Warp 203  
Weft 125

### Standard Size :

T : 1,5 mm  
W : 1 meter  
L : 30 meter

### Shrinkage in percentage :

800° C x 0,5 hr : 5%

## JIC 1004 TWISTED ASBESTOS ROPE



**DESCRIPTION :**  
Made by twisting numbers of Asbestos Yarn.

**APPLICATION :**  
Packing for Heat-Resistance or Heat Keeping in Steamer, boiler, vehicles and machineries and sealing for highly heated part,

**TEMPERATURE :**  
400° C  
**STANDARD SIZE :**  
1/8" up



### JIC 1204 THERMO CLOTH

**DESCRIPTION :**  
Cloth coated with aluminium foil on one side by a special method. The use of this product perfectly keeps off heat sparks, oil, water, etc

**APPLICATION :**  
Coating of air exhaust pipes, mufflers, etc. of combustion engines for ships as well as thermal insulation of various kinds of high temperature pipe duct sand all kinds of materials of aluminium made materials.

**TEMPERATURE :** 400° C  
**STANDARD SIZE :** T : 1/16" & 1/8"  
W : 1-1,1 mtr  
L : 30 meter/ up

### JIC 1205 THERMO TAPE

**DESCRIPTION :**  
Made by cutting JIC-1204 into tapes to prescribed dimensions.

Refr. : KS L 5202  
JIS R 3451



### JIC 1600 RUBBERIZED ASBESTOS CLOTH

**DESCRIPTION :**  
Asbestos cloth or metallic asbestos cloth coated with Heat-Resistant rubber compound ( also called Tacky Sheet).

**APPLICATION :**  
Gasket of Manhole, Handhole, joint of flange for steam, hot water, gas.

**TEMPERATURE :** 400° C ,  
**STANDARD SIZE :** T : 1/16" & 1/8"  
W : 1 -1,1 meter  
L : 30'meter/up

Refr.: KS L 5202  
JIS R 3451

### JIC 1600 W RUBBERIZED ASBESTOS CLOTH WIRE INSERTED

**DESCRIPTION :**  
Same as JIC-1600, but inserted by wire.

**TEMPERATURE :** 500° C  
**STANDARD SIZE :** T : 1/16" & 1/8"  
W : 1- 1,1 meter  
L : 30 meter/ up

Refr: KS L 5202  
JIS R 3451

## JIC 1102 ASBESTOS TAPE

### DESCRIPTION :

Asbestos Yarn is woven into tape (ribbon) form.

### APPLICATION :

Heat Insulation, Heat-Resistant Gasket, Material of Packings.

TEMPERATURE : 400° C

STANDARD SIZE : T : 1/16" & 1/8"  
W : 1"up  
L : 30 meter/Up

Refr. : KS L 5202  
JIS R 3451



## JIC 1112 METALIC ASBESTOS TAPE

### DESCRIPTION :

Tape woven with metal wire inserted yarn.

### Application:

Same as JIC-1102 but more suitable for brake lining, clutch facing and gasket.

TEMPERATURE : 500° C

STANDARD SIZE : T : 1/16" & 1/8"  
W : 1"up  
L : 30 meter/up

Refr. : KS L 5202  
JIS R 3451

## JIC 1202 ASBESTOS CLOTH

### DESCRIPTION :

Cloth woven with asbestos yarn by plain weave,

### APPLICATION :

Packing for Hot-Resistance, Fire Protection Clothes, Gloves Insulation for boilers and varies uses.

TEMPERATURE : 400° C

STANDARD SIZE : T : 1/16" & 1/8"  
W : 1-1.1 meter  
L : 30 meter/ up

Refr. : KS L 5202  
JIS R 3451



## JIC 1203 METALIC ASBESTOS CLOTH

### DESCRIPTION :

Cloth but woven with Metallic Asbestos Yarn.

### APPLICATION :

Same as JIC-1202 but JIC 1203 is Used for Brake Lining, Fire-Protection screen and Heat-Resistant Gasket which require super-heat or strength resistance.

TEMPERATURE : 500° C

STANDARD SIZE : T : 1/16" & 1/8"  
W : 1-1.1 meter  
L : 30 meter/ up

Refr. : KS L 5202  
JIS R 3451